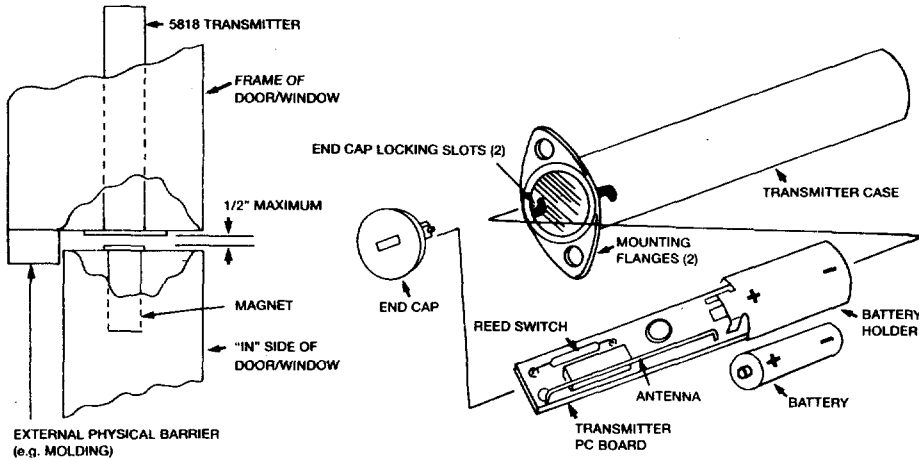


**ADEMCO****INSTALLATION  
INSTRUCTIONS****No. 5818  
RECESSED TRANSMITTER****TYPICAL  
INSTALLATION****5818 TRANSMITTER****GENERAL INFORMATION**

The No. 5818 Recessed Transmitter is a reed switch magnetic contact sensor that provides concealed protection for a door or window. It is intended for use only with alarm systems that support 5800 series wireless devices.

The transmitter is powered by a long-life lithium battery that is easily replaceable when a low battery is indicated by the control.

**Programming the ID Number**

Each 5818 has its own unique identification code (serial number) permanently assigned during manufacture.

The control unit is required to "learn" the transmitter's ID during installation of the alarm system. The 5818 response should be learned as "RF" (i.e. Supervised RF) Type (*mandatory for UL installations*).

Refer to the control unit's installation instructions for further details.

**PRELIMINARY CONSIDERATIONS**

*Read all of this and the next section before installing the unit.*

- Select a location for the transmitter on the frame of the door (never on the hinged edge) or window to be protected.**

- Do not use on metal frame doors or windows.

- The transmitter will require a 7/8" diameter hole in the edge of the frame, at least 5" deep, and its magnet will need a 1/2" diameter hole in the edge of the door or window, at least 1-3/4" deep, BUT BEFORE DRILLING ANY HOLES, SEE STEP 2 BELOW AND MOUNTING ON THE NEXT PAGE.
  - The preferred direction of mounting is vertical, although the 5818 may be mounted in *any* direction if satisfactory reception of its transmissions is obtained.
  - A physical barrier (e.g., a molding strip on the door or window frame) should be present, to protect against defeat of the contact from outside the premises.
- Before drilling any holes, tape the transmitter and magnet in their approximate locations (with battery installed and unit together as described under BATTERY INSTALLATION/REPLACEMENT below) and conduct Go/No Go tests (see control's instructions) to verify adequate signal strength. Reorient or relocate the transmitter if necessary.**
    - Make sure that no more than a 1/2" gap will be present between the faces of the transmitter and magnet cases when they are installed and set.
    - When installed, an alarm signal must be obtained before a clear space of 2" is reached as the door or window is opened.

## MOUNTING

1. Mark the selected location for the transmitter on the frame of the door or window.
2. Mark the location for the magnet on the door or window, directly opposite the transmitter location.

**Caution:** Before drilling any holes, make sure that successful Go/No Go transmission/reception tests have been conducted as called for in the previous section.

3. Drill holes at the locations marked, for the transmitter (7/8" diameter, at least 5" deep) and magnet (1/2" diameter, at least 1-3/4" deep).
4. Insert the transmitter and magnet cases into their respective holes, so that their ends are flush with the surface.
  - DO NOT hammer in place with hard blows. If necessary, tap *gently* with a rubber mallet or wood block.
  - The transmitter case may be secured by two screws via the holes in its mounting flanges, or the flanges can be snapped off by scoring around them first with a sharp knife.
  - If necessary, either case may be secured with a suitable adhesive.

A closure plug is supplied to cover an empty transmitter hole if it becomes necessary to relocate the transmitter.

## SPECIFICATIONS

**Dimensions (Approximate)** Transmitter: 13/16" (21mm) Diameter, 4-7/8" (124mm) Long  
Magnet: 1/2" (13mm) Diameter, 1-3/4" (45mm) Long

**Battery** 3V Lithium. Replace battery *only* with :  
Panasonic CR123A, Duracell DL123A, Sanyo CR123A, or Ademco 666.

### TO THE INSTALLER

Regular maintenance and inspection (at least annually) by the installer and frequent testing by the user are vital to continuous satisfactory operation of any alarm system.

The installer should assume the responsibility of developing and offering a regular maintenance program to the user, as well as acquainting the user with the proper operation and limitations of the alarm system and its component parts. Recommendations must be included for a specific program of frequent testing (at least weekly) to insure the system's operation at all times.

**REFER TO THE INSTALLATION INSTRUCTIONS FOR THE RECEIVER/CONTROL WITH WHICH THIS DEVICE IS USED, FOR WARRANTY INFORMATION AND FOR DETAILS REGARDING LIMITATIONS OF THE ENTIRE ALARM SYSTEM.**

**ADEMCO**

**ALARM DEVICE MANUFACTURING COMPANY**  
A DIVISION OF PITTMAY CORPORATION  
165 Eileen Way, Syosset, New York 11791

## BATTERY INSTALLATION/REPLACEMENT

1. Remove the transmitter's end cap by inserting the flat blade of a small screwdriver in the cap's slot and turning slightly counterclockwise.
2. Slide the transmitter PC board assembly out of its case, taking care not to bend the antenna during this step or later.
3. Remove the old battery, if replacing it.
4. Observe correct polarity and insert the fresh battery into the battery holder (+ and - polarity indications are inside). See diagram.
5. Slide the PC board assembly back into its case, battery end first (*the reed switch end must be toward the cap*).
6. Replace the end cap. Line up the projections on the cap with the openings at the edge of the case, press the cap gently against the PC board and turn the cap (via its slot) slightly clockwise, thus locking it in place.

**BATTERY CAUTION:** Risk of fire, explosion and burns. Do not recharge, disassemble, heat above 212°F (100°C) or incinerate. Dispose of used batteries promptly. Keep away from children.